

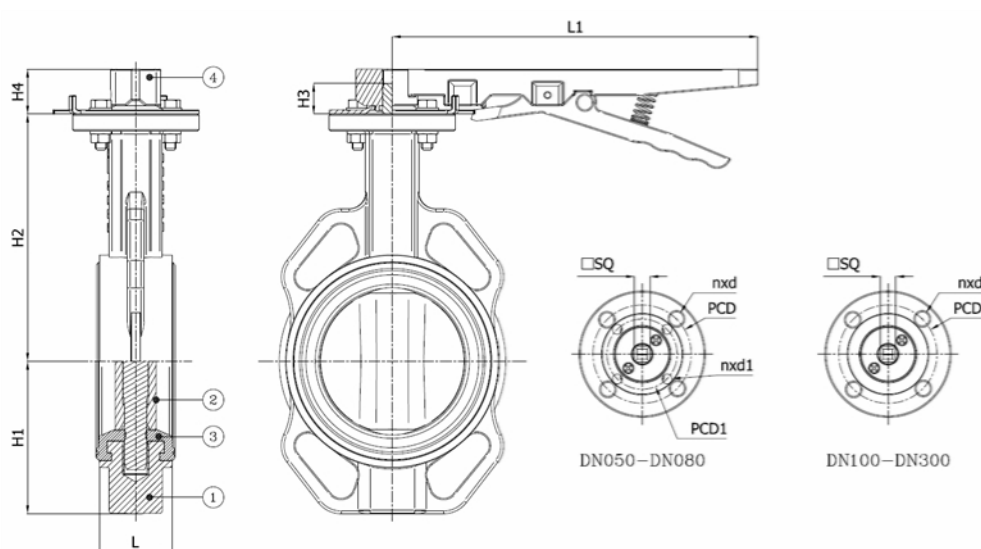
## BV10NP-2366B-PN10/PN16/A150 - Lever

Wafer type butterfly valve, mounting between flanges PN10/PN16/A150, with lockable lever

Face to Face Standard: EN 558-1 Table 1 series 20



| Item Number   | Belven Ref                      |
|---------------|---------------------------------|
| 101026NPB1050 | BV10NP-2366B-PN16-DN050 - LEVER |
| 101026NPB1065 | BV10NP-2366B-PN16-DN065 - LEVER |
| 101026NPB1080 | BV10NP-2366B-PN16-DN080 - LEVER |
| 101026NPB1100 | BV10NP-2366B-PN16-DN100 - LEVER |
| 101026NPB1125 | BV10NP-2366B-PN16-DN125 - LEVER |
| 101026NPB1150 | BV10NP-2366B-PN16-DN150 - LEVER |
| 101026NPB1200 | BV10NP-2366B-PN16-DN200 - LEVER |
| 101026NPB1250 | BV10NP-2366B-PN16-DN250 - LEVER |
| 101026NPB1300 | BV10NP-2366B-PN16-DN300 - LEVER |



| DN/Size       | H1    | H2    | H3   | H4 | L  | L1  | SQ | ISO | PCD | ISO1 | PCD1 | n x d  | n x d1  | Press.Cl. | Weight(kg) |
|---------------|-------|-------|------|----|----|-----|----|-----|-----|------|------|--------|---------|-----------|------------|
| DN50 (2")     | 64    | 140,5 | 22   | 29 | 43 | 260 | 11 | F05 | 50  | F07  | 50   | 4 x d7 | 4 x d10 | PN16      | 4.10       |
| DN65 (2 1/2") | 71,4  | 152,5 | 22   | 29 | 46 | 260 | 11 | F05 | 50  | F07  | 70   | 4 x d7 | 4 x d10 | PN16      | 4.50       |
| DN80 (3")     | 94    | 157,5 | 22   | 29 | 46 | 260 | 11 | F05 | 50  | F07  | 70   | 4 x d7 | 4 x d10 | PN16      | 5.10       |
| DN100 (4")    | 108,5 | 176   | 22   | 29 | 52 | 260 | 14 | F07 | 70  |      | 70   |        | 4 x d10 | PN16      | 6.70       |
| DN125 (5")    | 119   | 191   | 22   | 29 | 56 | 260 | 14 | F07 | 70  |      |      |        | 4 x d10 | PN16      | 8.40       |
| DN150 (6")    | 136   | 202,5 | 22   | 29 | 56 | 260 | 14 | F07 | 70  |      |      |        | 4 x d10 | PN16      | 9.90       |
| DN200 (8")    | 165   | 243,5 | 34,5 | 45 | 60 | 260 | 17 | F10 | 102 |      |      |        | 4 x d12 | PN16      | 13.70      |
| DN250 (10")   | 202   | 273   | 34,5 | 45 | 68 | 260 | 22 | F10 | 102 |      |      |        | 4 x d12 | PN16      | 25.00      |
| DN300 (12")   | 235   | 311   | 34,5 | 45 | 78 | 260 | 27 | F12 | 125 |      |      |        | 4 x d14 | PN16      | 33.00      |

| Item 1                           | Item 2        | Item 3                 | Item 4            |
|----------------------------------|---------------|------------------------|-------------------|
| Body Material                    | Seat Material | Disc Material          | Actuator Material |
| Cast iron : GG25 + Epoxy coating | NBR           | Stainless steel : CF8M | Maellable iron    |